



DCB, Inc.
2949 CR 1000 E
Dewey, Illinois
61840

217.897.6600 Tel
800.432.2638 Toll Free
217.897.1331
www.dcbnet.com

Ethernet Extender Quick Start Guide

The DCE 2178HSEE allows extension of an Ethernet LAN segment between any two locations that may be connected with standard twisted-pair telephone cable, at distances up to 1400 meters. Figure 1 below diagrams a basic setup.

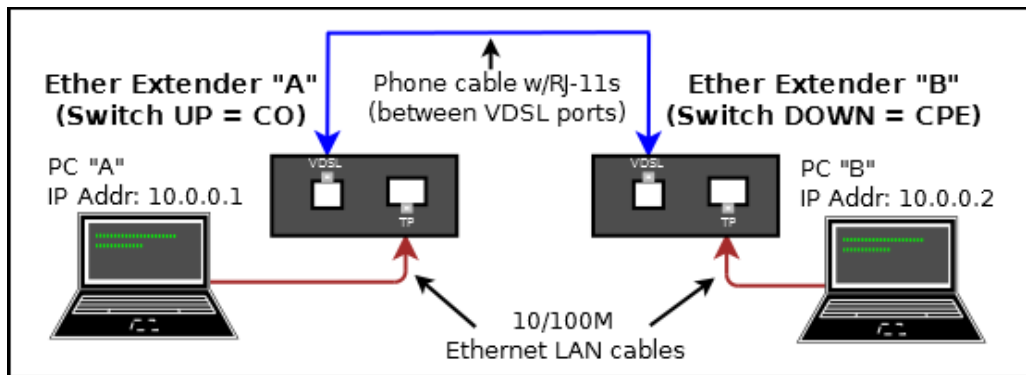


Figure 1 – Basic Setup Extending a LAN Between Two Points

The step-by-step procedure is as follows.

- Remove both Ether Extender units from their boxes and verify that there is a power adapter and phone cable with RJ-11 ends in each box.
- Configure one of the units to be the Master or “CO” unit by means of the DIP switch on the back of the unit: Put Switch 1 in the **OFF** position to do this, as shown in Figure 2 below. (The other unit may remain as a Slave or “CPE”, with no change to the switch.)

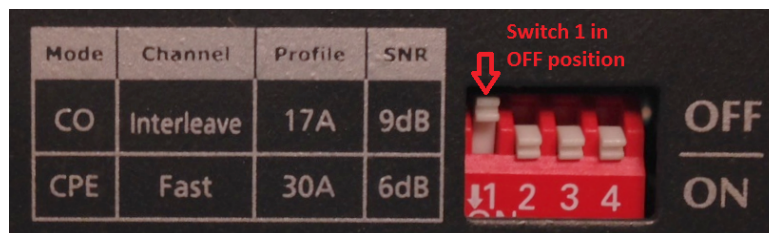


Figure 2 – DIP Switch Setting For Master (“CO”) Unit

- Connect a phone cable with RJ-11 ends between the two Ether Extenders' **VDSL** jacks.
- Connect LAN cables from PC A to the **TP** jack of Ethernet Extender A, and from PC B to the **TP** jack of Ethernet Extender B.
- Use the power adapters to apply power to each of the Ether Extenders.

If the PCs are now assigned IP addresses on the same subnet, they should be able to ping each other over the network connected by the Ether Extenders. Note that the TP ports feature Auto MDI/MDIX, so either straight-through or crossover LAN cables may be used.